

14 INTEGERS NUMBERS
COMBINED OPERATIONS

DATE:		
1	$10 - 2 \cdot 3$	
2	$4 + 6 - 14$	
3	$8 \cdot (1 + 3)$	
4	$(10 + 5) : 3$	
5	$(10 - 5) \cdot 7$	
6	$(1 - 7) : 6$	
7	$(45 - 3) : 7$	
8	$6 \cdot 6 - 40$	
9	$8 - 12 : 2$	
10	$3 + 8 \cdot 10$	
11	$18 : 2 \cdot 9$	
12	$3 \cdot 9 - 30$	
13	$(30 + 6) : 9$	
14	$7 \cdot (10 - 1)$	
15	$5 - 10 : 5$	

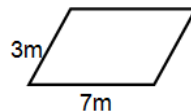

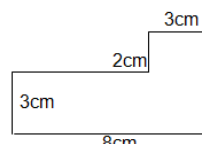
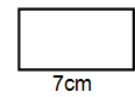
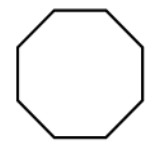
TOTAL CORRECT ANSWER

47 ALGEBRA
LET'S EXPAND BINOMIALS

DATE:		
1	$3(x - 2)$	
2	$5(2x - 3)$	
3	$-4(x^2 - x)$	
4	$7(x - 5)$	
5	$-2(x + 5)$	
6	$3(x - x^2)$	
7	$-5(3x + 4)$	
8	$8(x^3 - 5)$	
9	$4(x^3 - x^2)$	
10	$(x + 1)^2$	
11	$(x + 2)^2$	
12	$(2x + 1)^2$	
13	$(3x + 2)^2$	
14	$(x + 4)^2$	
15	$(x + y)^2$	

TOTAL CORRECT ANSWER

65 GEOMETRY
LET'S CALCULATE PERIMETER

DATE:		
1		
2		
3		
4		
5		

TOTAL CORRECT ANSWER

INDEX

NATURAL NUMBERS.....	1
INTEGERS NUMBERS.....	10
POWERS AND ROOTS.....	18
DECIMAL NUMBERS.....	23
FRACTIONS.....	28
PERCENTAGES.....	37
ALGEBRA.....	41
DECIMAL METRIC SYSTEM....	57
GEOMETRY.....	61
FUNCTIONS.....	71